

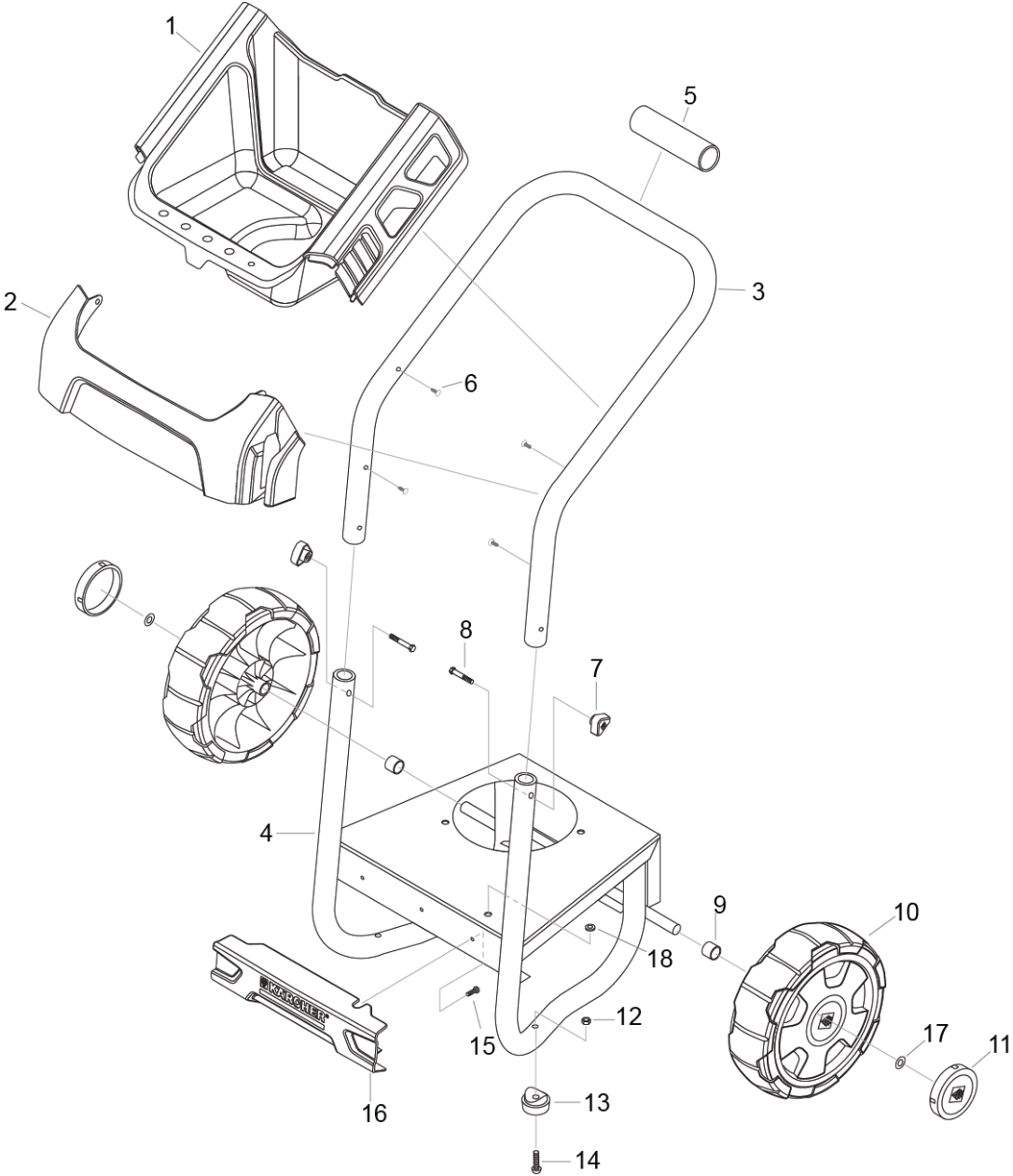
**Spare parts list**  
**(8.920-379.0) SPARE PART LIST - PERFORMANCE LC (RV170)**

<b>SPARE PART LIST - PERFORMANCE LC (RV170) (8.920-379.0)</b> .....	<b>6</b>
10 FRAME (8.921-423.0).....	7
20 PUMP SET (8.921-429.0).....	9
21 CYLINDER HEAD (8.921-430.0).....	10
9 Spare part set chemistry (2.883-862.0).....	12
22 PISTON (8.921-431.0).....	13
30 MOTOR (8.921-250.0).....	15
31 MOTOR (8.921-254.0).....	16
32 Transmission (0.108-922.0).....	18
40 ACCESSORIES (8.921-252.0).....	20

SPARE PART LIST - PERFORMANCE LC (RV170) (8.920-379.0)

---

Pos	Material #	Name	Qty.	Unit	Footnote text
10	8.921-423.0	FRAME	1.000	ST	ARTICLE ONLY AVAILABLE AT KNA
20	8.921-429.0	PUMP SET	1.000	ST	ARTICLE ONLY AVAILABLE AT KNA
30	8.921-250.0	MOTOR	1.000	ST	ARTICLE ONLY AVAILABLE AT KNA
40	8.921-252.0	ACCESSORIES	1.000	ST	ARTICLE ONLY AVAILABLE AT KNA



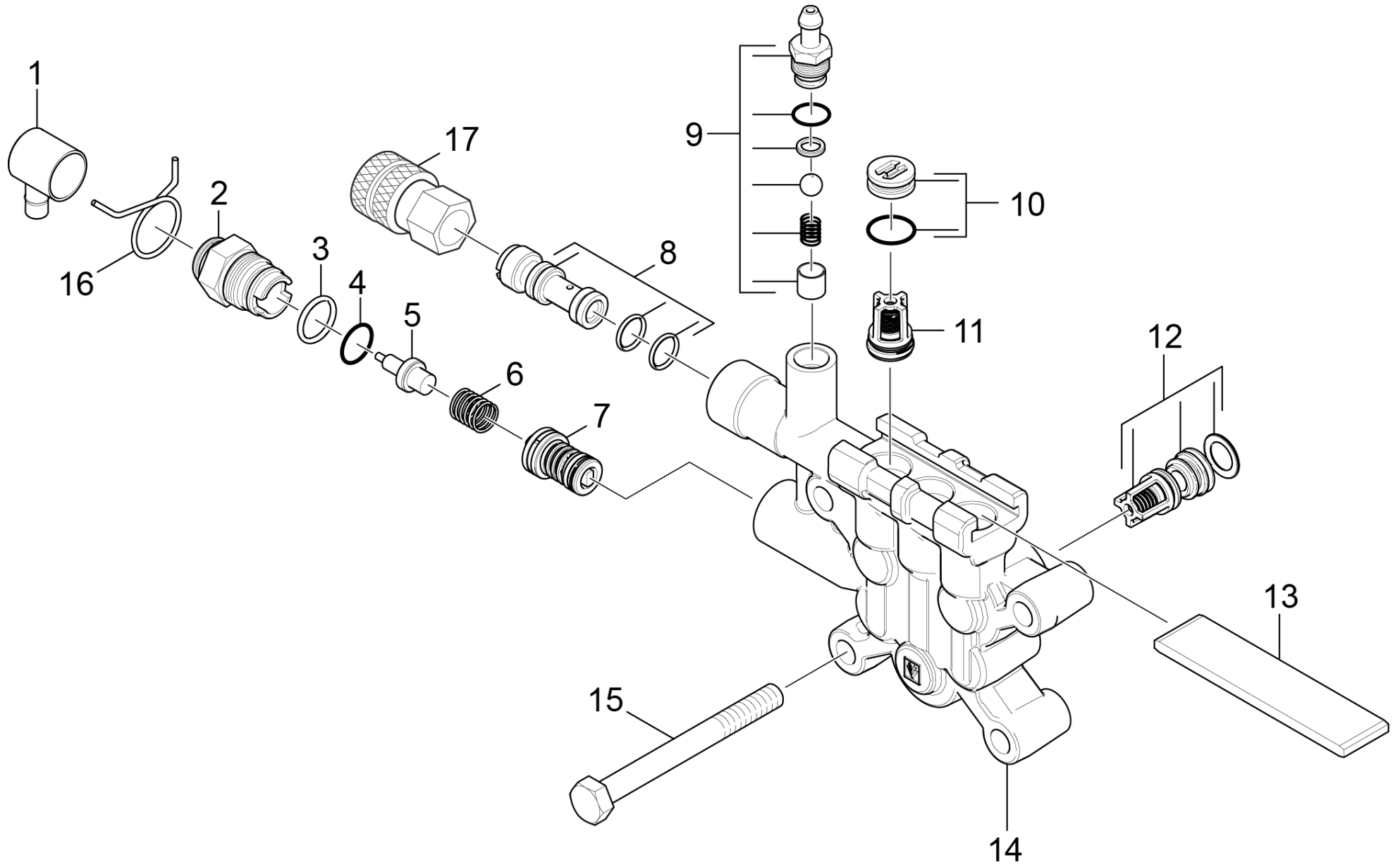
10 FRAME (8.921-423.0)

Pos	Material #	Name	Qty.	Unit	Footnote text
1	8.751-076.0	BASKET, STORAGE PLATE	1.000	ST	ARTICLE ONLY AVAILABLE AT KNA
2	8.751-077.0	PLATE, NAME	1.000	ST	ARTICLE ONLY AVAILABLE AT KNA
3	8.919-284.0	HANDLE, TITANIUM PAINTED	1.000	ST	ARTICLE ONLY AVAILABLE AT KNA
4		FRAME, TITANIUM PAINTED VERTICAL LC	1.000	ST	ARTICLE ONLY AVAILABLE AT KNA
5	9.142-021.0	Foam Grip	1.000	ST	ARTICLE ONLY AVAILABLE AT KNA
6	9.196-049.0	Nylon Rivet	4.000	ST	ARTICLE ONLY AVAILABLE AT KNA
7	8.751-656.0	1/4"-20 PERFORMANCE KNOB	2.000	ST	ARTICLE ONLY AVAILABLE AT KNA
8	9.196-307.0	1/4-20 x 1-1/2 GR 2 HEX BOLT ZINC	2.000	ST	ARTICLE ONLY AVAILABLE AT KNA
9	8.751-374.0	SPACER 5/8 X 1,25 BLACK	2.000	ST	ARTICLE ONLY AVAILABLE AT KNA
10	8.751-803.0	HUMMER PERFORMANCE WHEEL, ASSY	2.000	ST	ARTICLE ONLY AVAILABLE AT KNA
11	8.751-402.0	CAP, GREY FACE	2.000	ST	ARTICLE ONLY AVAILABLE AT KNA
12	9.197-010.0	1/4-20" Nylon Insert Lock Nut with Flang	2.000	ST	ARTICLE ONLY AVAILABLE AT KNA
13	8.751-340.0	RUBBER, CONTOUR 1.25"	2.000	ST	ARTICLE ONLY AVAILABLE AT KNA
14	8.751-805.0	1/4-20 x 1-3/4 GR 5 HEX BOLT ZINC	2.000	ST	ARTICLE ONLY AVAILABLE AT KNA
15	8.751-156.0	#10-16 x 1/2" Phillips Pan Head High-Low	2.000	ST	ARTICLE ONLY AVAILABLE AT KNA
16	8.752-015.0	SHROUD, FRONT, LOWER LC	1.000	ST	ARTICLE ONLY AVAILABLE AT KNA
17	8.718-870.0	NUT, .61 ID, PUSH FLAT	2.000	ST	ARTICLE ONLY AVAILABLE AT KNA
18	8.752-087.0	Grommet, edge cover	1.000	ST	ARTICLE ONLY AVAILABLE AT KNA

20 PUMP SET (8.921-429.0)

---

Pos	Material #	Name	Qty.	Unit	Footnote text
21	8.921-430.0	CYLINDER HEAD	1.000	ST	ARTICLE ONLY AVAILABLE AT KNA
22	8.921-431.0	PISTON	1.000	ST	ARTICLE ONLY AVAILABLE AT KNA



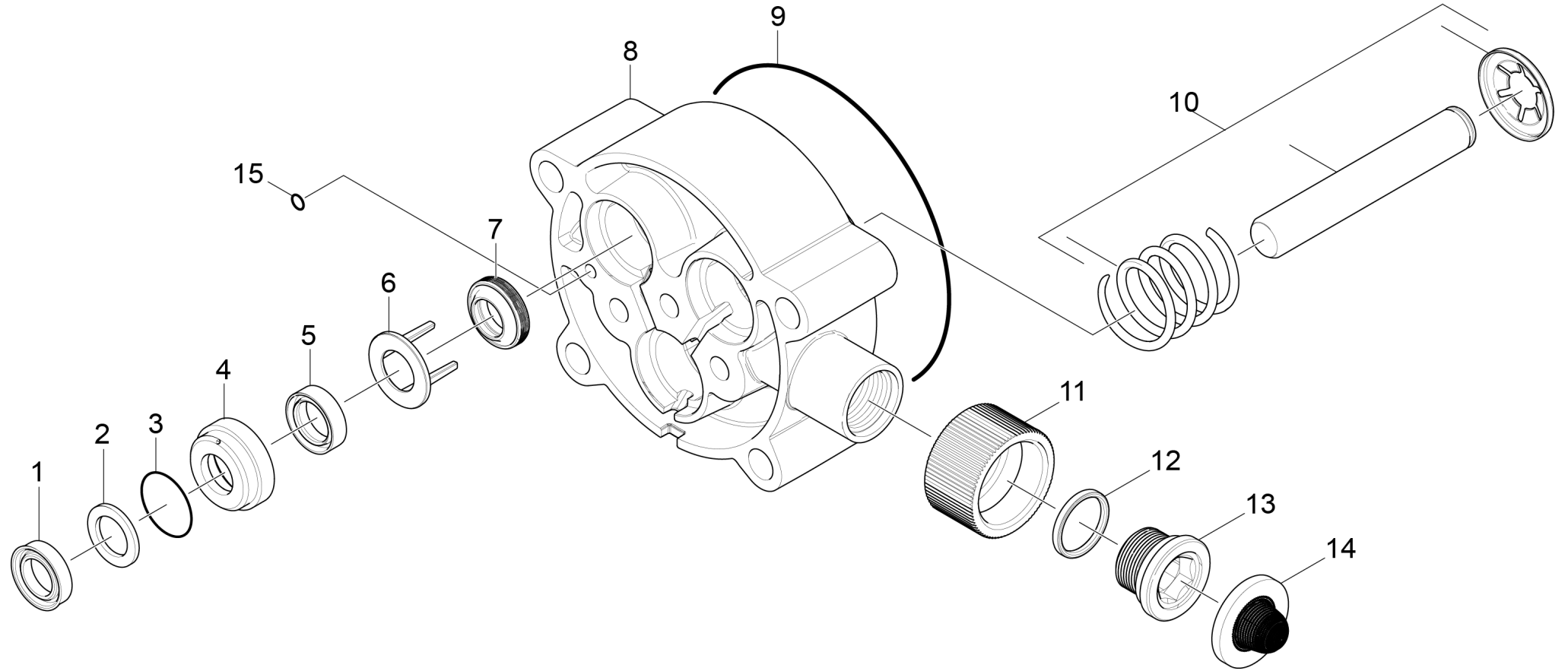
21 CYLINDER HEAD (8.921-430.0)

ET/VT (spare/wear parts)	Pos	Material #	Name	Qty.	Unit	Footnote text
	1	8.752-076.0	VALVE, THERMAL COVER-LONG	1.000	ST	ARTICLE ONLY AVAILABLE AT KNA
	2	9.184-018.0	Valve screw	1.000	ST	ARTICLE ONLY AVAILABLE AT KNA
X	3	6.362-480.0	O-Ring seal 12,42x 1,78	1.000	ST	ARTICLE ONLY AVAILABLE AT KNA
	4	7.362-507.0	O-Ring seal 8x2-NBR 90 DIN 3770	1.000	ST	ARTICLE ONLY AVAILABLE AT KNA
	5	6.413-403.0	TERMO VALVE TIN COATED	1.000	ST	ARTICLE ONLY AVAILABLE AT KNA
	6	5.332-290.0	Helical spring	1.000	ST	ARTICLE ONLY AVAILABLE AT KNA
	7	9.175-005.0	Unloader Assembly	1.000	ST	ARTICLE ONLY AVAILABLE AT KNA
	8	9.139-372.0	SPARE PART LIST NOZZLE INS 020/021 PUMP	1.000	ST	ARTICLE ONLY AVAILABLE AT KNA
X	9	2.883-862.0	Spare part set chemistry	1.000	ST	ARTICLE ONLY AVAILABLE AT KNA
X-X	10	4.132-007.0	Drain plug only for replacement	3.000	ST	ARTICLE ONLY AVAILABLE AT KNA
X-X	11	2.884-916.0	Valve (3 Stück)	1.000	ST	ARTICLE ONLY AVAILABLE AT KNA
	12	9.139-376.0	Valve 3 St.	1.000	ST	ARTICLE ONLY AVAILABLE AT KNA
	13	5.003-062.0	Plate	1.000	ST	ARTICLE ONLY AVAILABLE AT KNA
	14	9.135-015.0	Cylinder Head-Machined	1.000	ST	ARTICLE ONLY AVAILABLE AT KNA
	15	7.304-098.0	Hexagonal head screw M8x80-8.8-A2E ISO	4.000	ST	ARTICLE ONLY AVAILABLE AT KNA
	16	8.752-032.0	CLAMP, TENSION SPRING OD 11/16"	1.000	ST	ARTICLE ONLY AVAILABLE AT KNA
	17	9.154-045.0	Quick Connect	1.000	ST	ARTICLE ONLY AVAILABLE AT KNA



**9 Spare part set chemistry (2.883-862.0)**

ET/VT (spare/wear parts)	Pos	Material #	Name	Qty.	Unit	from ser.nr.	up to ser.nr.
	10	5.110-714.0	Sleeve	1.000	ST	0000000000	0000000000
	20	5.332-258.0	Helical spring	1.000	ST	0000000000	0000000000
	30	5.380-014.0	Label	1.000	ST	0000000000	0000000000
	40	5.443-448.0	Nipple chemistry	1.000	ST	0000000000	0000000000
X-X	50	6.362-175.0	O-Ring seal 5,28x 1,78	1.000	ST	0000000000	0000000000
	60	6.362-451.0	O-Ring seal 8,0 x 1,0	1.000	ST	0000000000	0000000000
	70	7.401-909.0	Sphere 7 G40 -1.4401 DIN 5401	1.000	ST	0000000000	0000000000



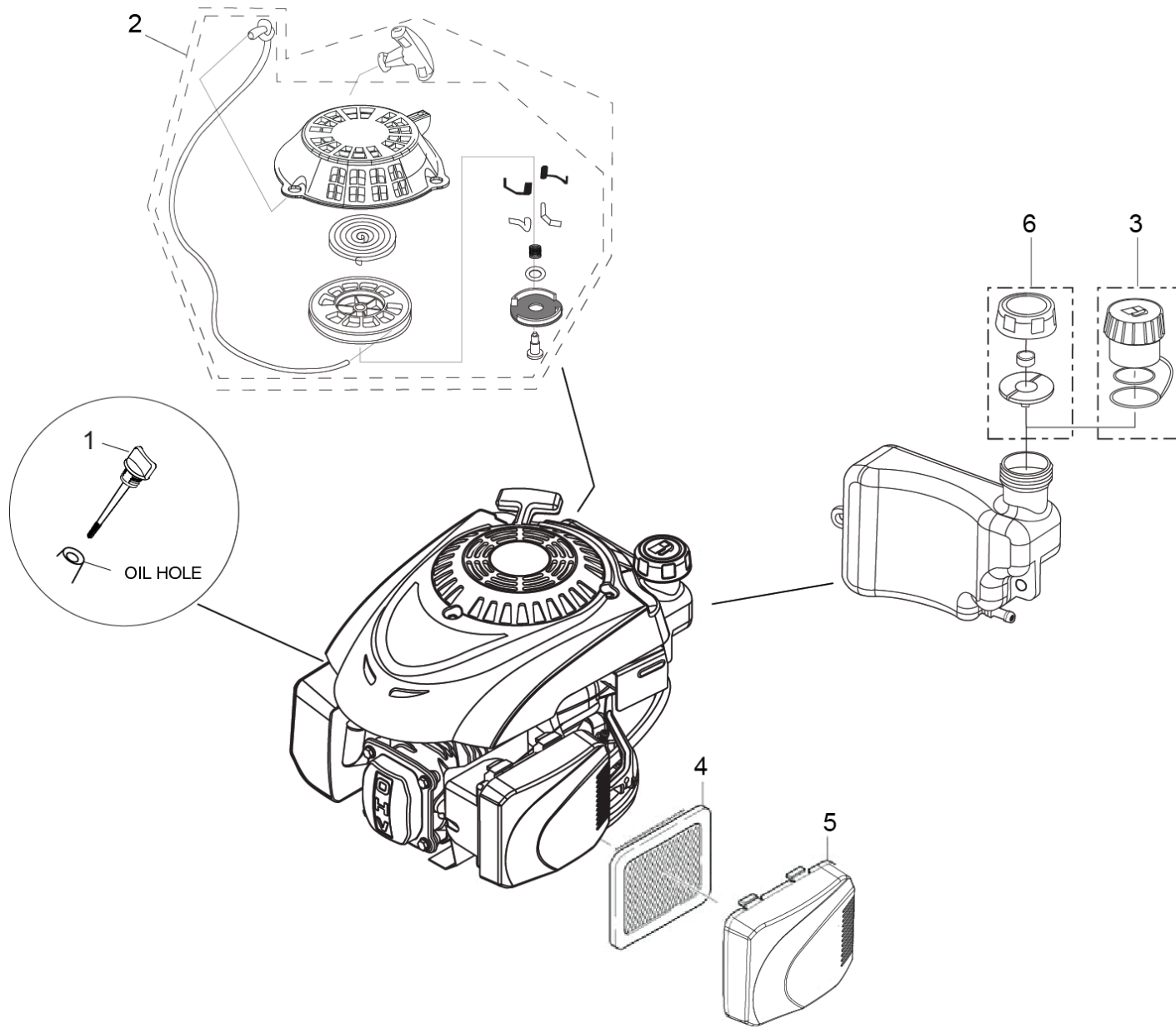
22 PISTON (8.921-431.0)

ET/VT (spare/wear parts)	Pos	Material #	Name	Qty.	Unit	Footnote text
X	1	9.177-301.0	HIGH PRESSURE SEAL	3.000	ST	ARTICLE ONLY AVAILABLE AT KNA
	2	9.177-310.0	BACK RING-HIGH PRESSURE SEAL-	3.000	ST	ARTICLE ONLY AVAILABLE AT KNA
	3	6.362-833.0	O-Ring seal 21,5 x 1,78	3.000	ST	ARTICLE ONLY AVAILABLE AT KNA
	4	9.155-011.0	HOUSING-LOW PRESSURE SEAL	3.000	ST	ARTICLE ONLY AVAILABLE AT KNA
	5	6.363-058.0	Grooved ring 12x18x5 (90Shore)	3.000	ST	ARTICLE ONLY AVAILABLE AT KNA
	6	9.134-016.0	SPACER-OIL SEAL & SEAL HSG.	3.000	ST	ARTICLE ONLY AVAILABLE AT KNA
X-X	7	6.365-393.0	Oil sealing 12x20x4/6	3.000	ST	ARTICLE ONLY AVAILABLE AT KNA
	8	9.133-007.0	Piston Guide-Machined	1.000	ST	ARTICLE ONLY AVAILABLE AT KNA
	9	6.362-471.0	O-Ring seal 80,0 X 3,0 -NBR 70	1.000	ST	ARTICLE ONLY AVAILABLE AT KNA
	10	9.139-370.0	SPARE PART LIST PISTON 020/021 PUMP	3.000	ST	ARTICLE ONLY AVAILABLE AT KNA
	11	9.155-013.0	FEMALE HOSE CONNECTOR	1.000	ST	ARTICLE ONLY AVAILABLE AT KNA
	12	6.362-390.0	O-Ring seal 15,6 X 1,78	1.000	ST	ARTICLE ONLY AVAILABLE AT KNA
	13	9.134-019.0	MALE ADAPTER	1.000	ST	ARTICLE ONLY AVAILABLE AT KNA
	14	9.181-005.0	FILTER SEAL-HOSE CONNECTOR-	1.000	ST	ARTICLE ONLY AVAILABLE AT KNA
	15	6.363-190.0	O-Ring seal 4,47x1,78-NBR 90	1.000	ST	ARTICLE ONLY AVAILABLE AT KNA

30 MOTOR (8.921-250.0)

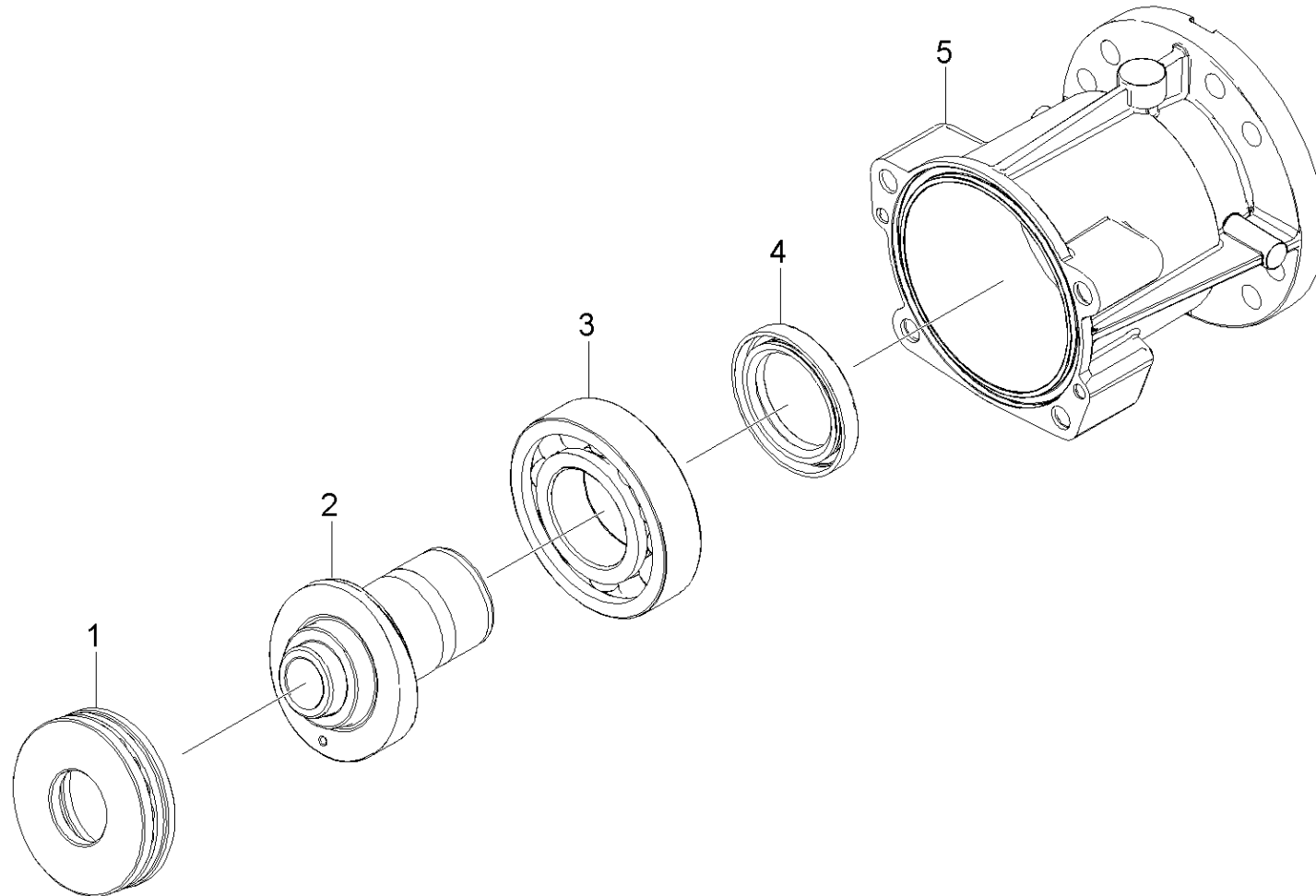
---

Pos	Material #	Name	Qty.	Unit	Footnote text
31	8.921-254.0	MOTOR	1.000	ST	ARTICLE ONLY AVAILABLE AT KNA
32		Transmission	1.000	ST	ARTICLE ONLY AVAILABLE AT KNA



**31 MOTOR (8.921-254.0)**

Pos	Material #	Name	Qty.	Unit	var. information	Footnote text
1	8.750-327.0	SUBASSEMBLY, OIL DIPSTICK	1.000	ST		ARTICLE ONLY AVAILABLE AT KNA
2	8.750-378.0	STARTER, RECOIL	1.000	ST		ARTICLE ONLY AVAILABLE AT KNA
3	8.753-263.0	FUEL CAP ASSY EPA/CARB III	1.000	ST		ARTICLE ONLY AVAILABLE AT KNA
4	8.750-395.0	ELEMENT SUBASSEMBLY, AIR CLEANER	1.000	ST		ARTICLE ONLY AVAILABLE AT KNA
5	8.750-396.0	COVER, AIR CLEANER CASE	1.000	ST		ARTICLE ONLY AVAILABLE AT KNA
6	8.750-407.0	TANK ASSY, FUEL	1.000	ST	(AUSTRALIAN MODELS)	ARTICLE ONLY AVAILABLE AT KNA



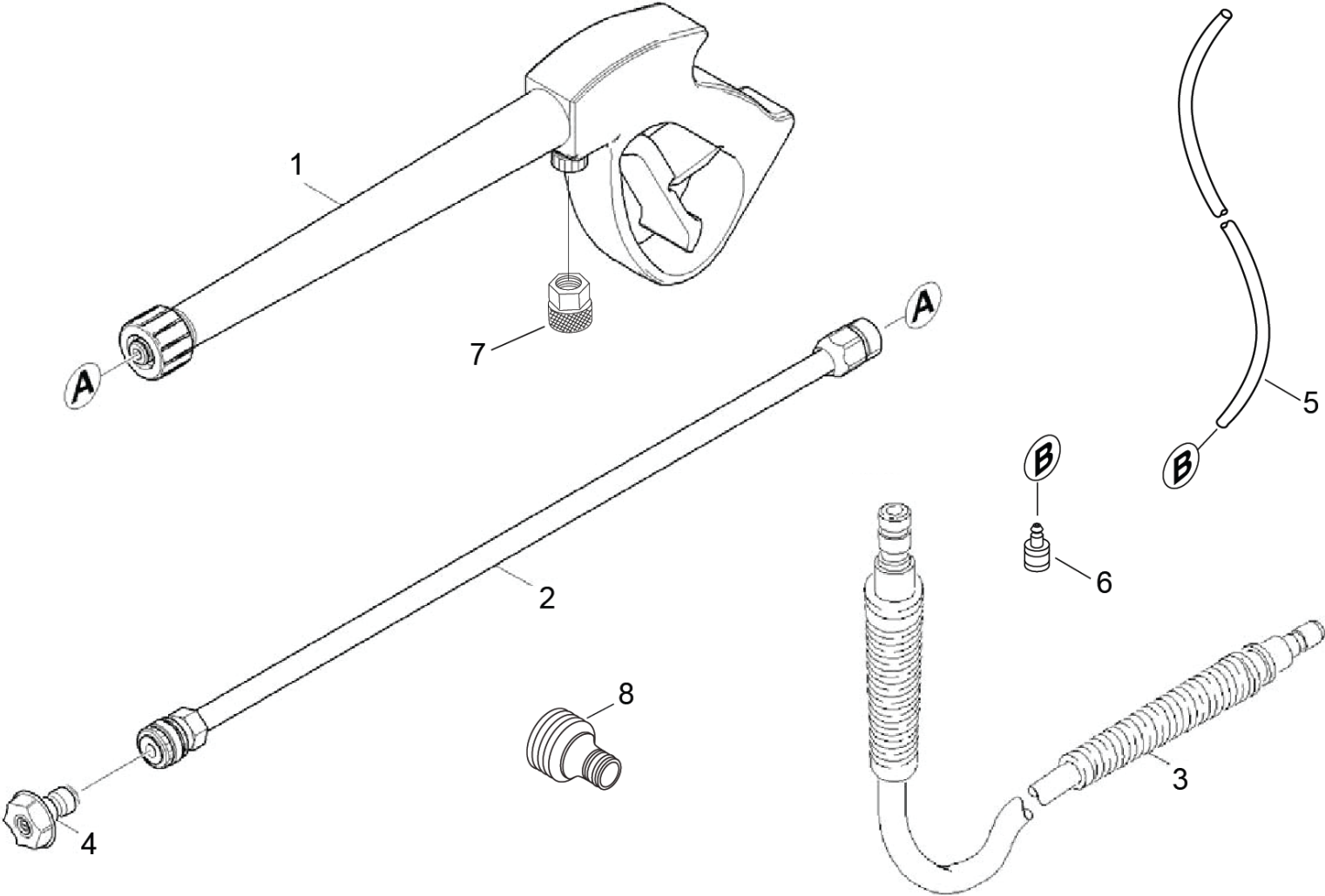
32 Transmission (0.108-922.0)

---

Pos	Material #	Name	Qty.	Unit
1	9.165-355.0	GROOVED BALL BEARING	1.000	ST
2	9.135-017.0	Swash Plate Vertical-Machined-	1.000	ST
3	9.165-356.0	BALL BEARING NO. 6207	1.000	ST
4	9.177-314.0	Radial Seal, 35x52x7	1.000	ST
5	9.135-016.0	Oil Housing Vertical Machined	1.000	ST

---





40 ACCESSORIES (8.921-252.0)

ET/VT (spare/wear parts)	Pos	Material #	Name	Qty.	Unit	var. information	Footnote text
	1	9.112-012.0	AL BIT101 TRIGGER GUN	1.000	ST		ARTICLE ONLY AVAILABLE AT KNA
	2	9.112-533.0	Lance-AL Quick Connect-Male 3000 psi	1.000	ST		ARTICLE ONLY AVAILABLE AT KNA
X	3	8.751-334.0	HOSE, HP DN6 25 FT, 3200PSI H&G	1.000	ST		ARTICLE ONLY AVAILABLE AT KNA
	4	9.104-028.0	QUICK CONNECT NOZZLE KIT (0325)	1.000	ST	(2700 Model)	ARTICLE ONLY AVAILABLE AT KNA
	4	8.751-819.0	NOZZLE, QUICK DISCONNECT 4KIT (035)	1.000	ST	(2500 Model)	ARTICLE ONLY AVAILABLE AT KNA
	5	6.388-216.0	Hose DN 5	1.000	M	TO ORDER AS CUT GOODS	ARTICLE ONLY AVAILABLE AT KNA
	6	5.731-652.0	Filter with weight	1.000	ST		ARTICLE ONLY AVAILABLE AT KNA
	7	9.154-045.0	Quick Connect	1.000	ST		ARTICLE ONLY AVAILABLE AT KNA
X-X	8	6.645-538.0	Tap adaptor complete US w/m thread	1.000	ST	(AUSTRALIAN MODEL)	ARTICLE ONLY AVAILABLE AT KNA